

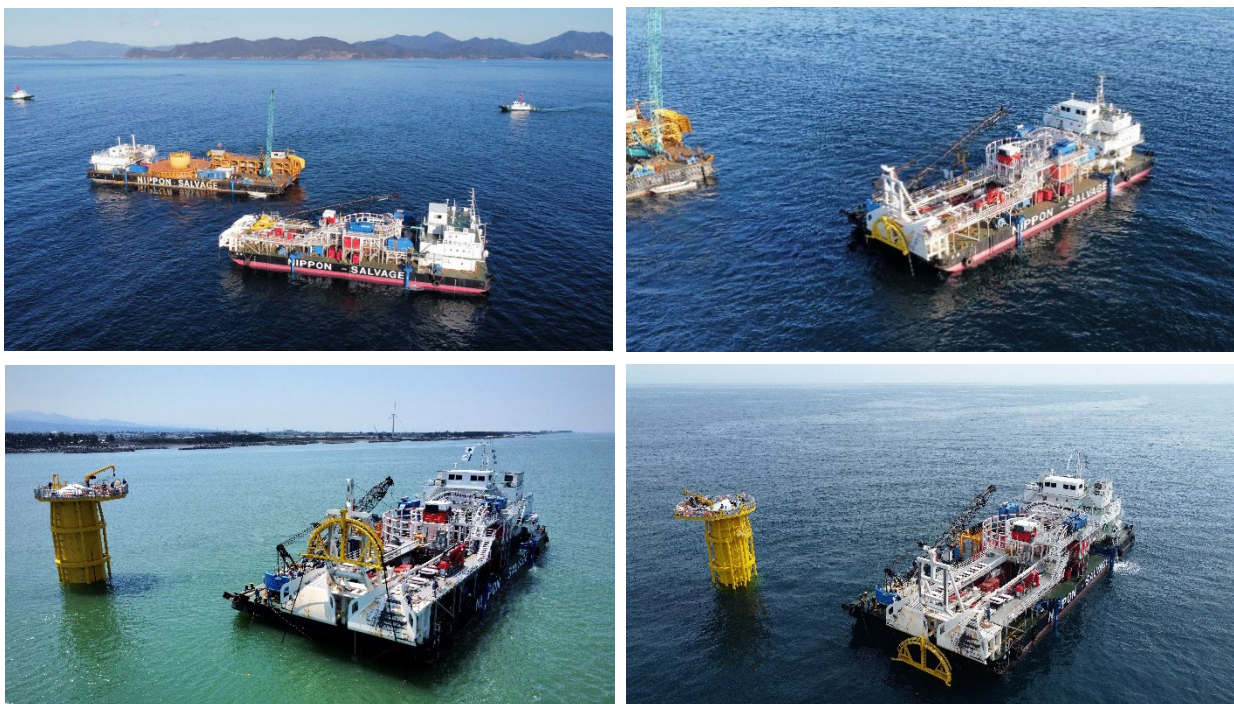
## ANNOUNCEMENT

### Multi-purpose work barge "MASAKUNI" adopted new cable laying equipment

The Nippon Salvage Co., Ltd.

Nippon Salvage's "MASAKUNI" (gross tonnage: 2,215 tons, classification: NK) is a multi-purpose work barge installed with a 1,000ton-load carousel for submarine cables, which is now more equipped with a cable quadrant handling system dedicated to laying submarine cables for bottom-mounted offshore wind turbines. That will enable reliable and safe submarine cable laying work for offshore wind turbines, whose demands are on the increase. Equipped with the latest cable laying equipment, "MASAKUNI" is expected to play an active role in the existing submarine cable laying projects as well as in the offshore wind power projects, which are expected to grow in demand in the near future.

Nippon Salvage is ready to support the realization of carbon neutrality in Japan with various facilities and equipment including "MASAKUNI".



(Top row) Photo taken during the offshore trial. A multi-purpose work barge "KAIYO" was simulated as an offshore wind turbine in order to test the feasibility of pulling operation of a submarine cable into the offshore wind turbine. (Off Futaoi Island, Shimonoseki City, Yamaguchi Prefecture)

(Bottom row) Photo taken during work to pull in the submarine cable to the offshore wind turbine in the offshore wind power project off the coast of Nyuzen Town, Toyama Prefecture. The Nippon Salvage Co., Ltd. successfully laid three submarine cables for three offshore wind turbines.

# MASAKUNI

Salvage/Multipurpose Work Barge



## PARTICULARS OF “MASAKUNI”

Classification	NK
When built/Flag	June 2005/Japan
Registered gross tonnage	2,215 tons
Length× Breadth × Depth	60.0m × 24.0m × 4.5m

## INSTALLATIONS

Deck machinery	4 × mooring winch : 15-ton capacity single drum winch, 4 × 3 ton anchor
Accommodation	50 berths
Positioning System	Dynamic Positioning System Kongsberg Maritime K-POS-21(Dual System)

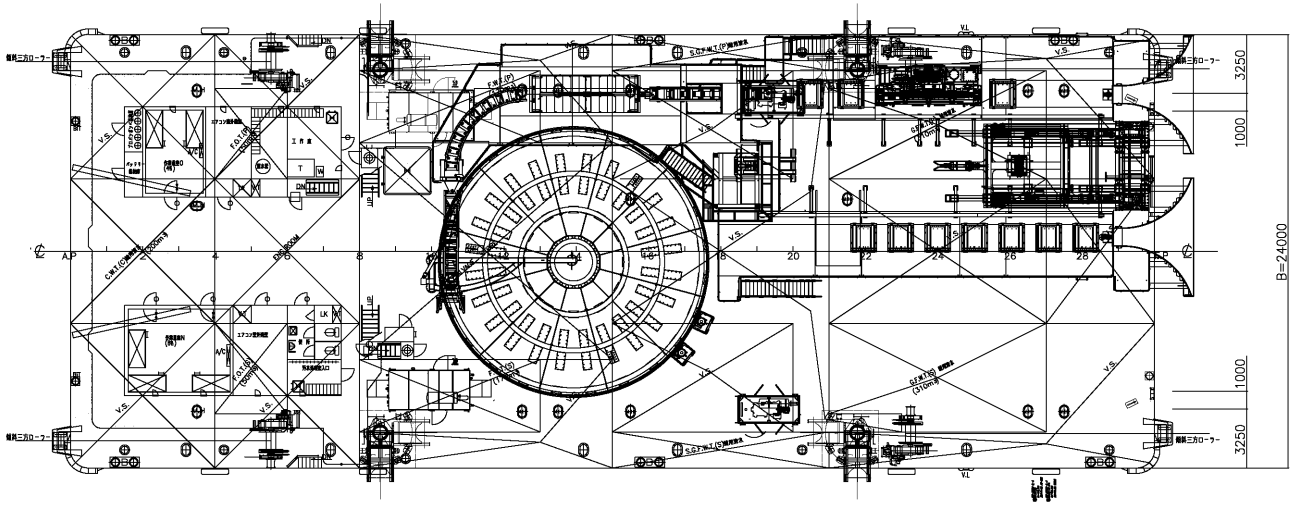
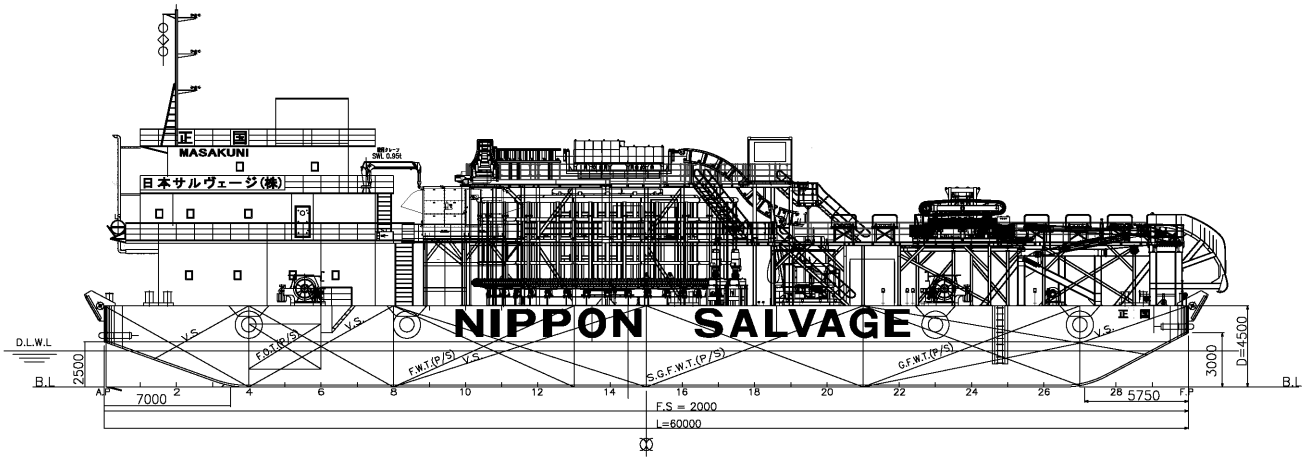
※All details are believed to be correct but not guaranteed.



The Nippon Salvage Co., Ltd.

# Salvage/Multipurpose Work Barge

## MASAKUNI (正国)



2F SEC

3F SEC

